



We conserve Energy



Factory insulated EPS panels engineered to meet your building needs

ISO 9001 : 2015
CERTIFIED

Metecno Pannelli Thailand

Metecno Pannelli (Thailand) Co.,Ltd. is a 100% foreign invested company established in the year 2000 with a manufacturing facility located at Samrong, Samutprakarn province. It is part of "METECNO" an international group established in the year 1962 and is one of the largest manufacturers of insulated panels in with world with manufacturing facilities in 12 countries located in Italy, Germany, Spain, Bulgaria, Romania, Chile, Columbia, Mexico, Thailand, Sri Lanka, India and Vietnam. The group has supplied more than 250 million square meters of panels from the inception.

Metecno Pannelli Thailand Co.,Ltd. is one of the manufacturers of sandwich panels with EPS as core and steel surfaces and these panels are widely used in the building industries as Roof & External wall panels for factories, warehouses, commercial building as well as Clean room and Cold room panels. It had supplied and installed over 1.0 million square meters of panels to more than 500 project in the field of Semiconductors, Electronics, Precision part, Automobile paint booth, Biotech, Pharmaceuticals, Food & beverages, Seafood processing & Logistic warehouse, Walk in Chiller & Freezer room, etc to both domestic and foreign invested project.

The company had been exporting panels to other countries Vietnam, Myanmar, Laos, Cambodia, India, Bangladesh, Mauritius, Ghana, etc.



METWALL – Z-Lock



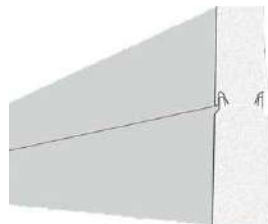
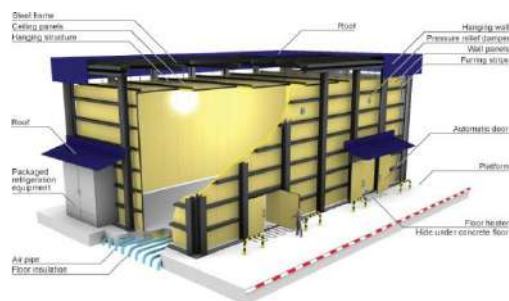
Description

METWALL แผ่นฉนวนโพลีโพลีสไตรีน (polystyrene) แบบแขวนวิซสำหรับห้องเย็น ถูกออกแบบให้เหมาะสมตามข้อกำหนดของอุตสาหกรรมห้องเย็น ด้วยระบบการการต่อแผ่นฉนวนแบบ Z Lock และกาวฉนวนโพลียูรีเทนสูตรพิเศษ ทำให้แผ่นฉนวน Metwall มีความแข็งแรงทนทาน, รูปลักษณ์สวยงาม และง่ายต่อการติดตั้ง หรือขยายปรับเปลี่ยนขนาดห้อง

METWALL is a range of self-supporting EPS insulated panels which has been designed to provide a complete solution to the requirements of the cold storage industry due to the Z-lock joint system and our special Polyurethane adhesive made the benefit of lightweight, aesthetically appealing, and ease of installation.

Advantages

- Self-supporting insulated panel
- Light weight
- Excellent air tightness and free of thermal bridges which results in considerable energy savings
- Surface finished facings providing resistance to weather and aggressive environments
- Capacity for rapid erection without lifting equipment, easier installation in hostile weather conditions
- Easy repair and replacement in case of damage
- Total Flexibility and modification.
- Offer complete solution of cold room i.e. door with safety device, pressure relief damper, floor heater, lighting set, floor insulation, PVC curtain.



Professional Engineering Team



Selection of insulation material



Installation



Design



After sales service



Manufacture of Panels & Doors



METWALL EPS FR Insulated Panels

Our Metwall EPS FR - Z lock insulated wall and ceiling panels are light weight, fire retardant panels. Our panel lengths are custom made to order ensuring fast delivery and competitive cost to keep your project cost within your budget.

EPS Panel Applications

METWALL EPS - FR insulated panels are preferred choice for the Clean rooms & Cold room storage industries.

Typical uses are as Cold room wall & ceiling panels in processing rooms in Food & Beverages, seafood production, Chiller & Freezer rooms, etc. and in Clean rooms for Pharmaceuticals, Biotech, Veterinary, Electronics, Automobile paint shops and also as cost-effective partitions and permanent or temporary interior walls.



Manufacture

As we manufacture both the panels and doors for most projects, we have unmatched ability to be flexible and responsive to your individual needs.

Installation

We can take care of your complex construction projects. Our highly experienced team has worked on projects of all shapes and sizes, all over Thailand. We also supply with all accessories such as extrusions, fixings and sealants for a complete project solution.



Save
Energy



Heat
Insulation



Fire
Retardant



HACCP
Standard



GMP
Standard



Anti
Bacterial



1 Year
Warranty

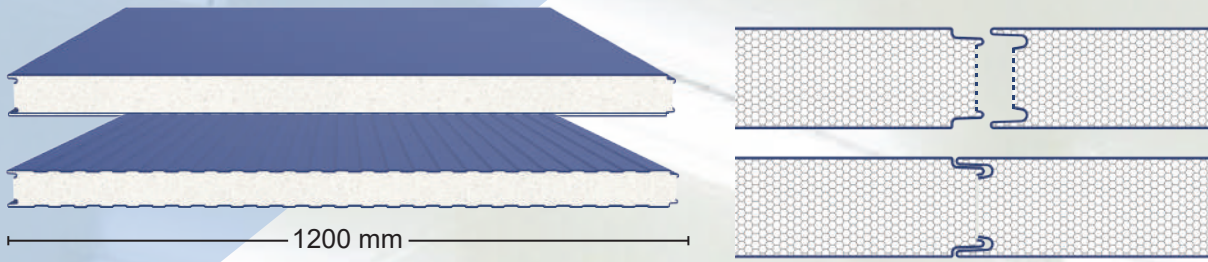
our
metwall

**SAVE ENERGY
REDUCE OPERATION COST**



ISO 9001 : 2015
CERTIFIED

METWALL EPS FR



Technical Data of METWALL

Standard Panel Specification	
Brand name	METWALL - EPS Insulated Panel
Joint system	Z lock - Slipjoint
Application	Wall and Ceiling Panel
Core Material	EPS Normal "F" grade – (fire retardant)
Standard density	1.00 lb / ft ³ 1.25 lb / ft ³
Available thickness	50, 75, 100, 125, 150 mm.
Surface Material	Standard : 0.40 mm Pre-painted Galvanized Steel – Aspene white color in Flat or Rib Surface
Standard dimensions	Width of panel : 1,200 mm Maximum length : 10,000 mm
Compliance Standard	ISO 9001-2015

Allowable Wall and Ceiling Spans

METWALL PANEL : 0.40 mm thick preprinted galvanized steel bonded to EPS foam core					
Panel Thickness (mm)	U value (Watt / m ² .°C)	Weight (Kg/m ²)	Allowable Spans (m)		
			Internal, Non-load bearing Walls		Ceiling Span
			Non - Freezer Applications	Freezer Applications	Non-Trafficable, maintenance access (100 Kg/m ²)
50	0.75	7.33	4.50	N/A	2.45
75	0.50	7.75	5.50	N/A	3.00
100	0.38	8.15	6.40	N/A	4.60
125	0.30	8.55	7.20	N/A	5.00
150	0.25	8.95	7.90	7.80	5.60

Recommended Thickness

Operating Temperature (°C)	Recommended Thickness	
	(mm)	(in.)
22 to 16	50	2
15 to 10	75	3
9 to 0	100	4
-1 to -8	125	5
-9 to -15	150	6



metecno



For consultations, come and visit us

Metecno Pannelli (Thailand) Co., Ltd.

25 Moo 9 Soi Watmahawong, Poochaosamingpri Rd.,
Samrong Klang, Prapradang, Samutprakarn 10130 Thailand

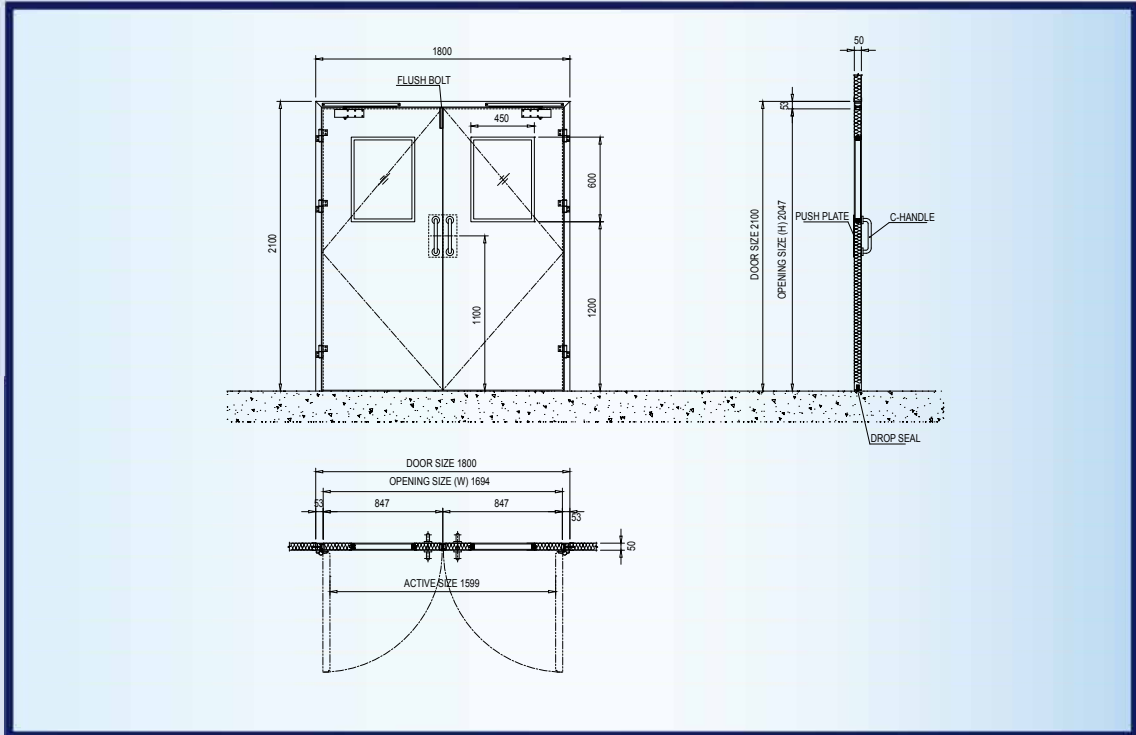
Tel : 02- 754-4207-9

Mobile : 091-808-3950

E-mail : manoj@metecno.co.th

Line : metecnothailand

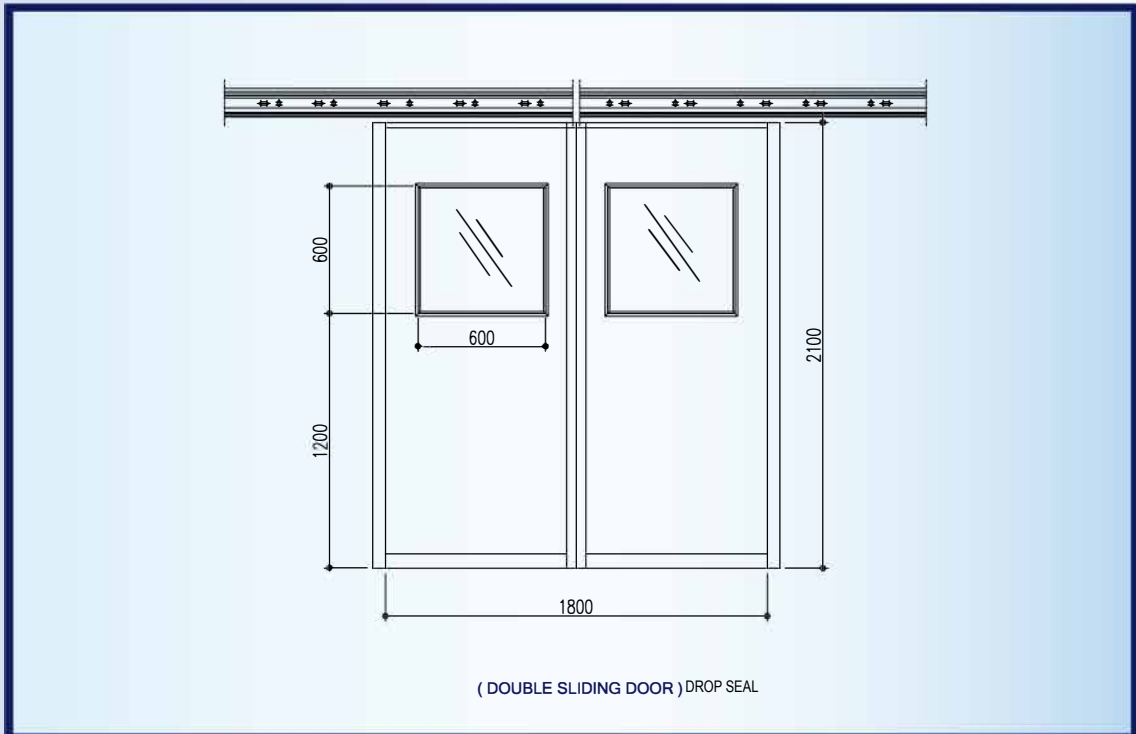
Standard specification of Doors แบบขยายและรูปตัด มาตรฐานของประตู



9.1) STANDARD SIZE OF SWING DOOR + Semi Air Tight 50mm

ขนาดมาตรฐานของ ประตูบานสวิง เมทเทคโน

DOOR TYPE	DOUBLE SWING DOOR	
CLEAR OPENING SIZE (mm.)	1800 x 2100	1694 x 2047
DOOR WINDOW SIZE (mm.)	450 x 600 or 600 x 600	



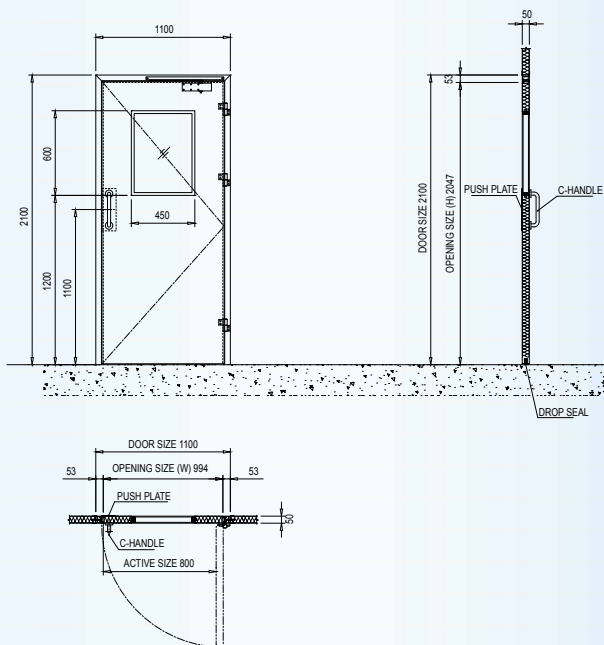
9.2) STANDARD SIZE OF SLIDING DOOR + Semi Air Tight 50mm

ขนาดมาตรฐานของ ประตูบานเลื่อน เมทเทคโน

DOOR TYPE	SINGLE SLIDING DOOR	DOUBLE SLIDING DOOR		AUTOMATIC SLIDING DOOR	
CLEAR OPENING SIZE (mm.)	1100 x 2100	1600 x 2100	2000 x 2100	1700 x 2100	1000 x 2100 2000 x 2100
DOOR WINDOW SIZE (mm.)	450 x 600 OR 600 x 600		450 x 600 OR 600 x 600		450 x 600 OR 600 x 600



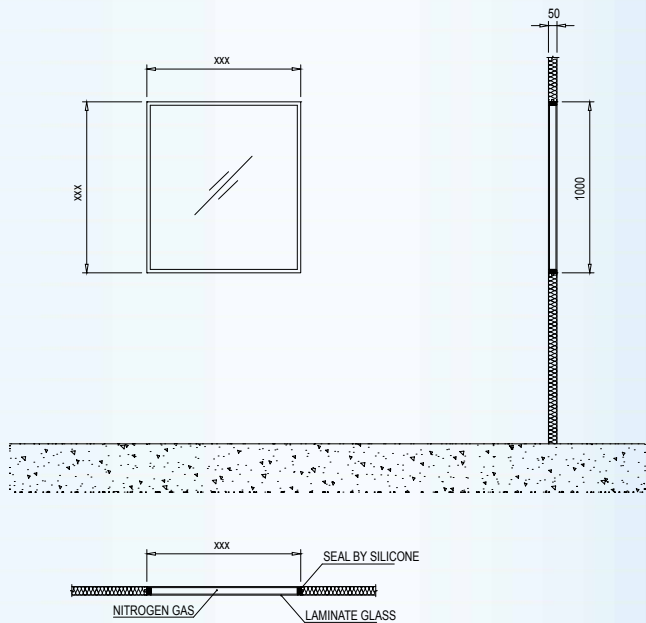
Standard specification of Flat type Doors แบบขยายและรูปตัด ของประตูชนิดเรียบผนัง



10.1 STANDARD SIZE OF SWING DOOR (Flat type) + Semi Air Tight 50mm ขนาดมาตรฐานของ ประตูบานสวิง ชนิดเรียบผนัง เมทเทคโน

DOOR TYPE	SINGLE SWING DOOR	3 SIDE SPON GASKET
CLEAR OPENING SIZE (mm.)	1100 x 2100 994 x 2047	DROP SEAL
DOOR WINDOW SIZE (mm.)	450 x 600 or 600 x 600	LAMINATE DOUBLE GLASS

(FILLED WITH NITROGEN GAS)



10.2 STANDARD SIZE OF FIXED WINDOW & DOUBLE GLASS WINDOW (Flat type) ขนาดมาตรฐานของ หน้าต่างบานตาย และ หน้าต่างสองชั้น เมทเทคโน

WINDOW TYPE	FLAT TYPE WINDOW			LAMINATE DOUBLE GLASS
WINDOW CLASS	SINGLE WINDOW	CONTINUOUS WINDW		
WINDOW SIZE (mm.)	x x x	x x x	x x x	FILLED WITH NITROGEN GAS
WINDOW SPEC. (mm.)	TE MPERED			SILICONE SEALANT

METECNO PANNELLI (THAILAND) CO.,LTD.

25 Moo 9 Soi Watmahawong,
Poochaosamingpri Road,
T. Samrong Klang, A. Prapradaeng,
Samutprakarn 10130, Thailand
Phone +66 2 754 4207 - 9
Fax +66 2 754 3482, +66 2 754 4200
For inquiries please contact info@metecno.co.th

www.metecno.co.th

METECNO GROUP

ITALY

METECNO ITALIA S.R.L.
Via NAzario Sauro, 80, 33090
Travesio (PN), Italy
Telephone : +39 0427 591311
Fax : +39 0427 590168

METECNO ITALIA S.R.L.
Zona Industriale Cimafava
29013 Carpaneto Piacentino
Piacenza, Italy
Telephone : +39 0523 853811
Fax : +39 0523 853872
www.metecnoitalia.it

GERMANY

METECNO BAUSYSTEME GmbH
Am Amselberg 1
99444 Blankenhain Deutschland
Telephone : +49 36454560
Fax : +49 3645456100
E-mail: vertrieb@metecno.de
www.metecno.de

SPAIN

METECNO ESPAÑA, S.A.
Poligono Industrial de BAYAS,
parcela 107-110
09200 Miranda de Ebro, Burgos
Telephone : +94 7330 690
Fax : +94 7330 678
E-mail: info@metecno.es
www.metecno.es

BULGARIA

METECNO BULGARIA AD
1, Grivishko shose Street
5800 Pleven, Bulgaria
Telephone : +359 64 882 900
Fax : +359 64 882 905
E-mail: info@metecno.bg
www.metecno.bg

ROMANIA

METECNO TRADING Srl
500009 Brasov - Romania
Dorobantilor Street,
N0 5A, apartment 6
Telephone : +40 749 234 662
E-mail: office@metecno.ro
www.metecno.ro

MEXICO

METECNO S.A.de C.V
Av. Mesa de Leon No. 116
Parque Industrial Querétaro
C.P. 76220 Santa Rosa Jáuregui,
Querétaro
Telephone : +52 442 229 53 00

CHILE

METECNO DE CHILE S.A.
(and FORMAC PANELES S.A.)
Av. Nueva Industria No.200
Quilicura, Santiago . Chile
Telephone : +56 2438 7500
E-mail: info@metecno.cl
www.metecno.cl

COLOMBIA

METCOL - METECNO DE COLOMBIA S.A.
Parque Industrial El Paraíso
Manzana C, Lote 16
Telephone : +57 2829 5290
Fax : +57 2829 5292
E-mail: ventas@metecnocolombia.com
www.metecnocolombia.com

ARGENTINA

METECNO ARGENTINA
Calle Humboldt No. 1510
3er. Piso (1414)
Buenos Aires, Argentina
Telephone : +54 11 4777 7231
E-mail: info@metecnoargentina.com
www.metecnoargentina.com

PERU

METECNO PERU
Av. Andrés Aramburu No. 855
con Calle Las golondrinas No. 393
esquina DP 302
Telephone : +51 1421 3893
E-mail: info@metecnoperu.com
www.metecnoperu.com

INDIA

METECNO (INDIA) PVT. LTD.
E-11, Sipcot Industrial Area, NH-4,
Sriperumbudur, Mambakkam,
Kancheepuram District,
Tamil Nadu, India
Telephone : +91 44 4560 8800
Fax : +91 44 4355 3351
E-mail: info@metecno.in
www.metecno.in

VIETNAM

METECNO (VIETNAM) LTD.
Road No. 16A, Lot 13
Bien Hoa IZ II, Dong Nai
S.R.Vietnam
Telephone : +84 8 39300 962
Fax : +84 8 39300 991
E-mail: info@metecno.com.vn
www.metecno.com.vn

SRI LANKA

METROOF (PVT) LTD.
185 Koratota Road, Korotota,
Kaduvela, Sri Lanka
Telephone : +94 115558190-5
Fax : +94 115443322
E-mail: info@metroof.lk
www.metecno.com

CHINA

ZHEJIANG METECNO
NEW BUILDING PANELS CO., LTD.
North of Jianshesan Lu, West of Jinyi Lu
Xiaoshan Economic and Technical Development
Zone Hangzhou (Zhejiang)
Telephone : +86 571 82784892
Fax : +86 571 82782452
E-mail: commerce@metecno-zj.cn
www.metecno-zj.cn