

//

Labelling Machines

Label Applicators | Print Apply

Labelling system

//



+66(0)2-136-9171-4



www.smartiden.com



@smartidentify



smartidentify

MACHINERY

We are specialists in labelling solutions and have the most flexible standard program on the market, with short delivery times and at very competitive prices.

For more than 10 years, we have built up our labelling know-how, and are more than willing to custom build a machine to suit your needs.

We have a large knowledge database, based on customer segments within:

- Chemical / technical industry
- Foodstuffs industry
- Pharmaceutical industry
- Automotive industry
- Furniture industry
- Tobacco industry

The hallmarks of our machines are high operational stability with minimum maintenance, very user-friendly operation and a design that incorporates good ergonomics.

Labelling Machines

Industrial automatic labelling machines for the application of pre-printed adhesive labels, print apply for printing and application and complete systems for labelling A wide range of products designed by Smart Identify-both standard and on project (Customized) - able to satisfy every type of application request and productivity In the industrial field.

Label applicators

Industrial automatic labelling machines and applicators of self-adhesive labels with a labelling speed from 20 m/min to 150 m/min.

Print Apply

Print apply labelers for printing text, info, barcodes in real time on a self-adhesive label and applying it on every product.

Labelling systems

Industrial labelling systems (complete with conveyor and devices) for wrap around, top, bottom, side, front & back, seal, tamper evident labelling

Label Applicator

Industrial automatic labelling machines and applicators of self-adhesive labels with a labelling speed from 20 m/min to 150 m/min.



Model : SO-2120

is supplied as an operation-ready unit. The compact design and the simple structure means that users will find the SO-2120 easy to work with, and that they will quickly become familiar with the machine

Product Diameter : Ø20 - Ø100 mm
Product length : 50 - 200mm
Label Width : 15 - 120 mm
Roll Diameter : Ø270mm

Series 2000 is a modern, advanced range of label dispensers, designed to meet the high demands of operational stability, accurate label placement and advanced functions in all types of industrial companies.



Model	2-120LH	2-200RH
Label Width	15 - 120 mm	15 - 200 mm
Label Length	15 - 250 mm	
Speed m/min	1 - 35 M/min	
Labels/min.	Max. 500 labels/min.	
Roll Diamete	Ø270mm	

Series 3000 is a combined thermal / thermal-transfer printer and label dispenser.

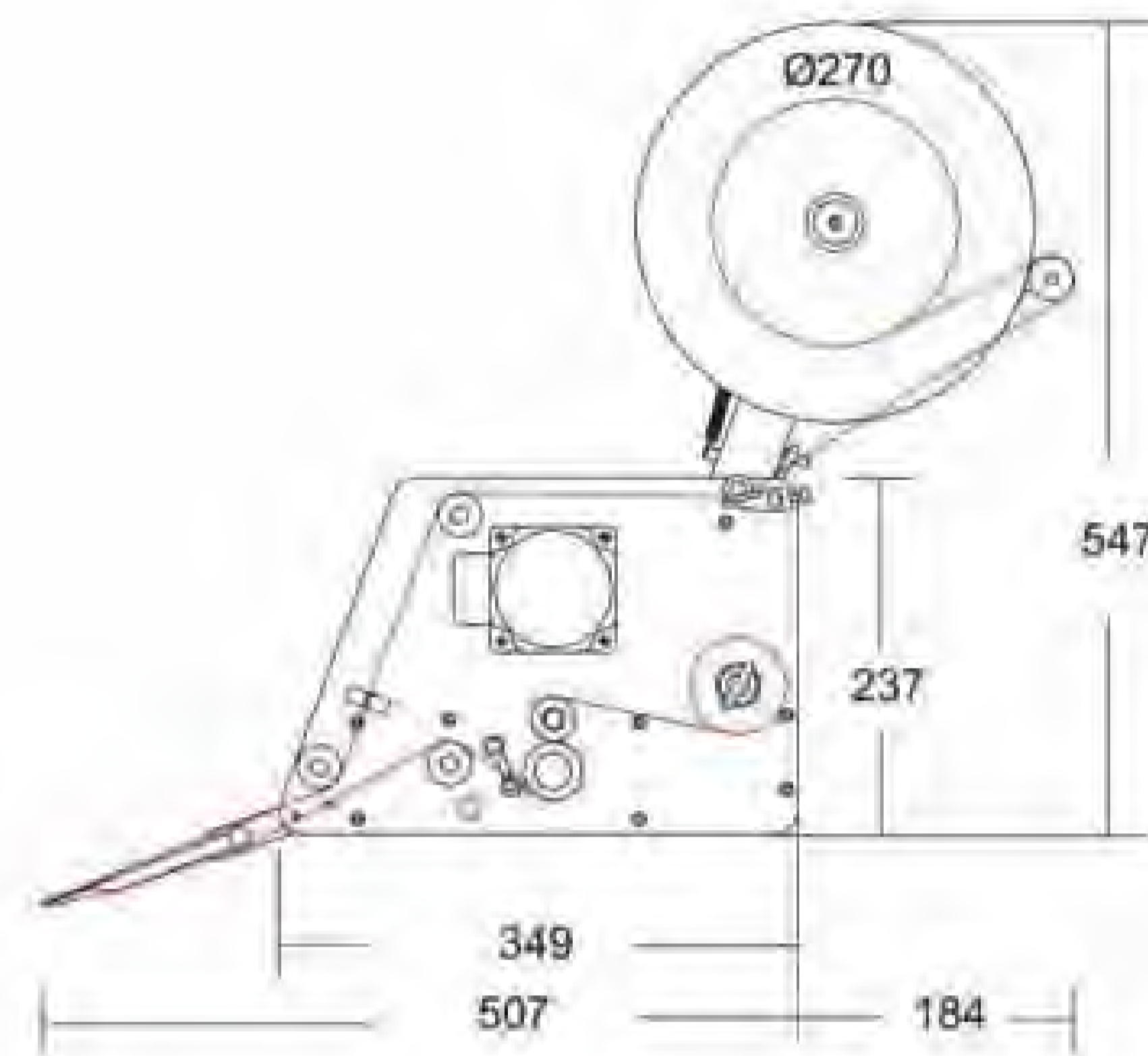


Model : 3-120

Label Width : 5 - 120 mm
Label Length : 15 - 250 mm
Speed m/min : 1 - 35 M/min
Labels/min. : Max. 500 labels/min.
Roll Diameter : Ø270mm
Print width : 10 - 112mm
Print speed : 50 - 152mm/sec
Interface options : USB, Seriel, Parallel, LAN (Ethernet), Wireless

Label Applicator

Series 4000 is a modern, advanced range of label dispensers, designed to meet the high demands of operational stability, accurate label placement and advanced functions in all types of industrial companies.



Model	4-120RH	4-200RH	4-250RH	4-300RH
Label Width	15 - 120 mm	15 - 200 mm	50 - 250 mm	50 - 300 mm
Label Length	10 - 250 mm	10 - 250 mm	10 - 250 mm	10 - 250 mm
Speed m/min	0 - 40 m/min	0 - 30 m/min	0 - 30 m/min	0 - 30 m/min
Labels/min.	Up to 500 labels/min	Up to 200 labels/min	Up to 200 labels/min	Up to 200 labels/min
Roll Diameter	270, 310, 400 mm	270, 310, 400 mm	270, 310, 400 mm	270, 310, 400 mm

Series 4000PFP is essentially our EME 4-120 or EME 4-200, but structured so that OEM print modules from companies such as Cab, Carl Valentin, Datamax, SATO, Zebra, etc. can be installed.



Model : 4-120RH

- Label Width : 15 - 105 mm (4-200 PFP: 15-185mm)
- Label Length : 10 - 250 mm
- Speed m/min : 0 - 40 m/min.
- Labels/min. : Up to 500 labels/min.
- Roll Diameter : 270 mm is standard. Optional 310 mm or 400 mm.

EME Serie 4000PFP to be mounted with print engines from leading manufacturers like :



Label Applicator



Model : Basic 120

The labelling machine BASIC is the entry-level model of the range of label applicators manufactured by Arca. It is a compact, robust, reliable and price saving label applicator to cover a wide range of industrial labelling needs. The BASIC automatic labeller is available with 280 mm housing reel.

- Max Reel diameter 280 mm
- Max Speed 20 m/min
- Max Label width 120 mm



Model : Dynamic 120

The labelling machine DYNAMIC is the entry-level model of the range of label applicators manufactured by Arca. It is a compact, robust, reliable and price saving label applicator to cover a wide range of industrial labelling needs.

- Max Reel diameter 280 mm
- Max Speed 20 m/min
- Max Label width 120 mm



Model : Easy 160

The labelling machine EASY is the entry-level model of the range of label applicators manufactured by Arca. It is a compact, robust, reliable and price saving label applicator to cover a wide range of industrial labelling needs. The EASY automatic labeller is available with 360mm housing reel.

- Max Reel diameter 360 mm
- Max Speed 40 m/min
- Max Label width 160 mm

Label Applicator



Model : Evolution 160, 240

Evolution is a state-of-the-art labeler, extraordinarily versatile, complete with all kinds of accessories and able to satisfy almost any application requirement.

- Max Reel diameter 360 mm
- Max Speed 50 m/min
- Max Label width 160, 240 mm



Model : Wind 80, 240, 330

The Wind industrial automatic labelling machine applies labels with widths of up to 330 mm able to guarantee high speed and high accuracy labelling.

- Max Reel diameter 380 mm
- Max Speed 100, 80, 60 m/min
- Max Label width 80, 240, 330 mm



Model : Flash 80

This is the most advanced model of the labelling machines range manufactured by Arca.

A state-of-the-art label applicator as far as engine and electronics. The Flash industrial automatic labelling machine applies labels with widths of up to 80 mm able to guarantee high speed and high accuracy labelling.

- Max Reel diameter 380 mm
- Max Speed 150 m/min
- Max Label width 80 mm

Print apply labelers for printing text, info, barcodes in real time on a self-adhesive label and applying it on every product.



Model : Easy Liner

Easy liner is an efficient print apply machine, easy to use for any operator, lightweight and low footprint.

- 203 dpi
- Print Width 4"
- Reel 250 mm



Model : Liner Plus

Liner plus is an automatic print and apply system applying the last printed label typically on still or moving boxes, packets, trays, pharma packets, pallets and many other products.

- 203, 305, 609 dpi
- Print width 4", 6"
- Reel 360 mm



Model : Liner Plus Advanced 4.0

Linerplus Advanced 4.0 is an automatic print and apply system applying the last printed label typically on still or moving boxes, packets, trays, pharma packets, pallets and many other products. Linerplus Advanced 4.0 prints any type of code, images and variable data coming from the packaging line and applied the last printed label. This print and apply model is a state-of-the-art labeller of Arca print apply range of products: a system typically installed in the end-of-the-line. Linerplus Advanced 4.0 is an extraordinarily versatile, complete with all kinds of accessories and able to satisfy every possible application need

- 203, 305, 609 dpi
- Print width 4", 6"
- Reel 360 mm
- Control unit

Print & Apply

Model : LinerLess

Linerless is an automatic print and apply system applying the last printed label typically on still or moving boxes, packets, trays, pharma packets, pallets and many other products.

Linerless prints any type of code, images and variable data coming from the packaging line and applied the last printed label.

- 203, 305, 609 dpi
- Print width 4", 6"
- Reel 360 mm



Model : LinerLess Advanced 4.0

Linerless Advanced 4.0 is an automatic print and apply system applying the last printed label typically on still or moving boxes, packets, trays, pharma packets, pallets and many other products.

Linerless Advanced 4.0 prints any type of code, images and variable data coming from the packaging line and applied the last printed label. This print and apply model is a state-of-the-art labeller of Arca print apply range of products: a system typically installed in the end-of-the-line. Linerless Advanced 4.0 is an extraordinarily versatile, complete with all kinds of accessories and able to satisfy every possible application need

- 203, 305, 609 dpi
- Print width 4" , 6"
- Reel 360 mm
- Control unit



Labelling System

Industrial labelling systems (complete with conveyor and devices) for wrap around, top, bottom, side, front & back, seal, tamper evident labelling

LO-1600/S2

is build for labelling of products, on top and bottom



Specification

Product length	: 50 - 250 mm
Product width	: 50 - 250 mm* *Others on request
Product height	: 10 - 300 mm
Capacity / min	: 15 - 150 (depending on product/label)
System length	: 1600 mm (Other length on request)
Label width	: 15 - 120 mm
Label length	: 10 - 250 mm (Optional : 999 mm)
Speed m/min	: 0 - 35 m/min.
Roll diameter	: 270 mm

LO-1600/S2-1

is build for base-labelling of tray packs and similar products



Specification

Product length	: 50 - 250 mm
Product width	: 50 - 250 mm* *Others on request
Product height	: 10 - 300 mm
Capacity / min	: 15 - 150 (depending on product/label)
System length	: 1600 mm (Other length on request)
Label width	: 15 - 120 mm
Label length	: 0 - 250 mm (Optional : 999 mm)
Speed m/min	: 0 - 35 m/min.
Roll diameter	: 270 mm

Labelling System

JE-1600/S2

is an automatic system for labelling of round containers in a rational way



Specification

Product diameter	: Ø10 - Ø300 mm depending of configuration
Product height	: 10 - 400mm
Capacity / min	: 15 - 250 (depending on product/label)
System length	: 1630/2000/2500/3000mm (Other length on request)
Power connections	: 1 x 230Vac 500Watt. Green energi motors
Label width	: 15 - 120 mm
Label length	: 10 - 250 mm (Optional : 999 mm)
Speed m/min	: 0 - 40 m/min.
Labels/min.	: Up to 500 labels/min.
Roll diameter	: 270 mm is standard. Optional 310 mm or 400 mm.

JE-1600/S4

is a modern, automatic system for labelling of round containers in an efficient way



Specification

Product diameter	: Ø10 - Ø150 mm depending on configuration
Product height	: 10 - 400mm
Capacity / min	: 15 - 250 (depending on product/label)
System length	: 1630/2000/2500/3000mm (Other length on request)
Power connections	: 1 x 230Vac 500Watt. Green energi motors
Label width	: 15 - 120 mm
Label length	: 10 - 250 mm (Optional : 999 mm)
Speed m/min	: 0 - 40 m/min.
Labels/min. Up to	: 500 labels/min.
Roll diameter	: 270 mm is standard. Optional 310 mm or 400 mm.

Labelling System

SA-1300/S4-PFP

is build for labelling of products, on top



Specification

Product length	: 50 - 250mm
Product width	: 50 - 250mm* *Others on request
Product height	: 10 - 300mm
Capacity / min	: 15 - 150 (depending on product/label)
System length	: 1600 mm (Other length on request)
Label width	: 15 - 120 mm
Label length	: 10 - 250 mm (Optional : 999 mm)
Speed m/min	: 0 - 35m/min.
Labels/min.	: Up to 500 labels/min.
Roll diameter	: 270 mm is standard. Optional 310 mm or 400 mm.

Our 3-roller

system construction is designed for labelling of round containers, in a method that gives a correct horizontal label position, all around the container



Specification

Product diameter	: Ø10 - Ø300 mm depending of configuration
Product height	: 10 - 00mm
Capacity / min	: 15 - 60 (depending on product/label)
System length	: 1630/2000/2500/3000mm (Other length on request)
Air connection	: 40 - 60 Psi cleaned compressed Air
Label width	: 15 - 120 mm
Label length	: 10 - 250 mm (Optional : 999 mm)
Speed m/min	: 0 - 40 m/min.
Roll diameter	: 270 mm is standard. Optional 310 mm or 400 mm.

Labelling System

MO-2500/S4

is designed for labelling of front- and backside of containers.



Specification

Product diameter	: Ø30 - Ø100 mm depending of configuration
Product length	: 50 - 250mm
Product width	: 15 - 100mm* *Others on request
Product height	: 10 - 300mm
Capacity / min	: 15 - 150 (depending on product/label)
System length	: 2500/3000mm (Other length on request)
Label width	: 15 - 120 mm
Label length	: 10 - 250 mm (Optional : 999 mm)
Speed m/min	: 0 - 40 m/min.
Labels/min.	: Up to 500 labels/min.
Roll diameter	: 270 mm is standard. Optional 310 mm or 400 mm.



Labelling System

Model : Top

Industrial automatic labelling machine for side application is ideal for Top labelling



Model : C-Wrap

Industrial automatic C-wrap labelling machine is the ideal labelling system for applying a half wrap label (C-wrap) on the front top and base or front and two sides of elliptical, rectangular or quadrangular products such as bottles, boxes, trays, food containers, vessels, glass, tin and all food market, cosmetic and toiletries market products



Labelling System



Model : Feeder

A labelling machine for labelling and/or coding flat products: laid down packets (either already glued or still “open”), telephone and credit cards, membership cards, envelopes, hang tags for clothing, etc. It allows for application on the upper surface of the product.



Model : Converter

Converter labelling system is a Top application (Top feed) for any flexible continuous ribbon (film, labels, cardboard, etc.). Top labelling system (top feed) for any flexible continuous ribbon (film, labels, cardboard, etc.) The DP version is equipped with a T.T. desktop printer for basic label customization, with variable data.

Model : Top & Bottom-Bottom

Industrial automatic Top & Base labelling machine is the ideal labelling machine for applying two labels one on the top and one on the base of elliptical, round, rectangular or quadrangular products such as jars, bottles, boxes, trays, food containers, vessels, glass, tin and all food market products



Model : Striped Linerless

A system for the ecological labelling of trays, containers and rectangular and parallelepiped products. It allows for application on the upper surface, sides and base of the product.



Labelling System

Model : Wraparound

Industrial automatic labelling system ideal for wrap-around label application on cylindrical jars, bottles, vessels, plastic products, glass or metal or products for food, chemicals and cosmetic markets



Model : Combi-Top-Wrap-Seal

Combi is an industrial automatic labelling machine that can be configured on customer's needs (completely customizable). Indeed, the labelling system can indifferently apply top, wrap around, two sides, seals label on the same product that can be elliptical, round, rectangular or quadrangular products such as jars, bottles, boxes, trays, cans, vessels, flacons or every products of food, cosmetic or toiletries markets



Model : Front & Back-Side

Industrial automatic labelling machine for Front and back application is ideal for labelling elliptical, round, rectangular or quadrangular products such as jars, bottles, boxes, jerrycans, tin, cans, vessels, glass, tin or drums for the lubricants, food chemical and cosmetic markets.



Model : Seal

Industrial automatic labelling machine for seal application is ideal for labelling elliptical, round, rectangular or quadrangular products such as jars, bottles, boxes, jerrycans, tin, cans, vessels, glass tin or drums for the lubricants, food, chemical and cosmetic markets.



Labelling Machines

Industrial automatic labelling machines for the application of pre-printed adhesive labels, print apply for printing and application and complete systems for labelling A wide range of products designed by Smart Identify-both standard and on project (Customized) - able to satisfy every type of application request and productivity in the industrial field.



01 : DATAMAX Model SI1000

The SI-1000 is integrated with "DATAMAX" printer which is a modern Thermal Transfer unit, designed for use in industrial Environments.

- Label web width, maximum : 115 mm.
- Label length, maximum : 250 mm.
- Variable Speed : Up to 304 mm/sec
- Label roll diameter, maximum : Ø270 mm.
- Label roll core, minimum : I/D 40 mm.
- Print Speed : 304 mm./sec



02 : ZEBRA Model SI1000

The SI-1000 is integrated with "ZEBRA" printer which is a modern Thermal Transfer unit, designed for use in industrial environments.

- Label web width, maximum : 114 mm.
- Label length, maximum : 250 mm.
- Variable Speed : Up to 305 mm/sec
- Label roll diameter, maximum : Ø270 mm.
- Label roll core, minimum : I/D 40 mm.
- Print Speed : 305 mm./sec, 254 mm/ sec

Labelling Machines



03 : Dynamic 120 with Concorde

The Dynamic-120 dispenser with integrated Concorde Applicator controlled by an advanced control unit, is applying the label. This allows an automatic label speed control by "Encoder" quick change the set up time. The system can work with small and large product.

- Max speed 40 m/min
- Max reel diameter 280 mm
- Max label liner width 120 mm
- The Dynamic is a labeler of contained weight and foot print.



04 : Series 5000 with DATAMAX

Series 5000 with integrated DATAMAX print module 203, 305 dpi controlled by HMI & PLC control unit, is applying the label. The system can work with small and large product 2.5 - 5 gallons.

- Max capacity 20 pieces /min.
- Max reel diameter 280 mm.
- Max label liner width 120 mm.
- 3-roller system, with label positioned in relation to decoration on the bucket.



05 : Series 4000 PFP with Feeder

The Series 4000 dispenser with integrated Zebra Module ZE400 controlled by an advanced control unit, is applying the label. This allows an automatic label speed control by "Encoder" quick change the set up time. The system can work with small and large product.

- Feeder Max speed 50 m/min
- Label max width 105 mm
- Label / minute up to 500
- Label roll max 270 mm (310 mm is option)
- OEM Print Module Zebra SATO DATAMAX.

Labelling Machines



06 : EME 2000 Series

The Series 2000 dispenser with integrated rigid peeler Applicator controlled by built in control unit, is applying the label. This allows an automatic label speed control by Encoder quick change the set up time and 45 product memory. The system can work with small and large product.

- Max speed 35 m/min
- Max reel diameter 270 mm
- Max label liner width 120 mm
- The Series 2000 is a labeler of contained weight and foot print.
- New compact design
- Stepper motor driven



07 : EME 2120 with Prefeed Conveyor

The series 2000 dispenser with integrated brush Applicator controlled by built in control unit, is applying the label. This allows an automatic label speed control by "Encoder" quick change the set up time. The system can work with small and large product.

- Max speed 35 m/min
- Max reel diameter 270 mm
- Max label liner width 120 mm
- The Series 2000 is a labeler of contained weight and foot print.
- Built in Control unit for the operator can be easy operation.
- Rigid peeler, typically used for flat surfaces. It can apply one label to the top of product.



08 : 400MA series

The series 400MA P&A with integrated swing vacuum pad Applicator controlled by built in control unit, is applying the label. This allows an automatic label position on vacuum pad control by motor quick change the set up time. The system can work with small and large product.

- Max Capacity 20 boxes/min
- Max reel diameter 220 mm
- Max label liner width 116 mm
- High Performance
- Heavy Duty Printer Applicator

Labelling Machines

09 : Bi Fuel Series

The Print and Apply unit with integrated High precision safe 200 controlled by an advanced control unit, is applying the label. This allows match to ariable speed, multi or altinate application quick change the set up time and barcode reader, ejector activation. The system can work with small and large product.



- Max Speed 60 labels / min
- Max reel diameter 360 mm
- Max print width 104 mm Resolutions 203/305/609 dpi
- Print speed 16/14/6 ips
- Advance Control unit. Which is independent for the operator can be located anywhere. With 2.5 inch single color graphic display multi language menu

10 : SI-1000 LT408

The Thermal printer LT integrated with series 1000 Applicator controlled by the product sensor control unit.



- Automatic Labelling
- High Performance ,Reliable and durable
- Ridged Steel Cabinet with media Window
- Easy to loading the roll label.
- Resolution 203 dpi
- LCD 2 lines by 16 characters Black light
- High Speed processing By 4MB FLASH
- ROM 32Bit Risc CPU16MB SDRAM
- Belt Conveyor with vaccum system

11 : JE-1600/S2

Model JE-1600/S2 is designed for labelling round containers in many dimensions.



- Conveyor Max speed 10 m/min
- Max reel diameter 270 mm
- Max label liner width 120 mm
- Conveyor L 1600 mm x W 82 mm
- Slat belt conveyor running at fixed speed
- With side guides and emergency stop box
- Product separator,motorized

Labelling Machines



12 : Series 5000 with HPS 200

This system was designed for labelling empty buckets, with a label to be placed in a specific position in relation to the decoration on the bucket. The label is printed in the thermal transfer print by a DATAMAX A4212 MARK II print module

- High performance speed up to 25 bucket /min
- Width HMI display & Easy to operation
- Integrated with ERP/ SAP
- Structure can be stainless steel and aluminium profile
- Barcode reader for product detection
- 3 rollers system give the high accuracy apply
- Run at fixed speed 10 m/min



13 : EME2120 with rigid peeler

The Dynamic-120 dispenser with integrated Concord Applicator controlled by an Advanced control unit, is applying the label. This allows an automatic label speed control by "Encoder" quick change the set up time. The system can work with small and large product.

- Max speed 35 m/min
- Max reel diameter 270 mm
- Max label liner width 120 mm
- Product save up to 45 products

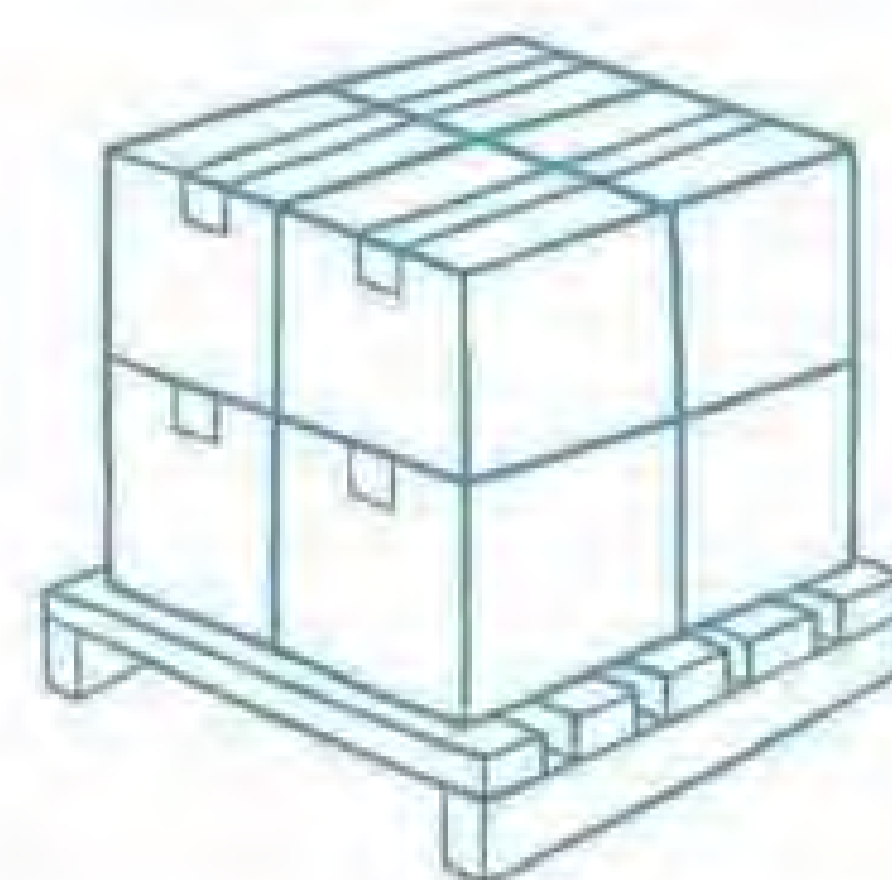


14 : 412MA Smart Series

The products are coming to the system in reached position and are keep moving in the PVC belt conveyor system. A sensor is detecting the reference point on the product so the label can be apply according to this point. The RING 412MA printer with integrated Air jet Cylinder type controlled by built in an Advanced control unit, is applying the label.

- Automatic Labelling / Side Apply
- High Performance ,Reliable and durable
- Ridged Steel Cabinet with media Window
- Easy to loading the roll rabel
- High resolution 300 Dpi

Product to be labeled



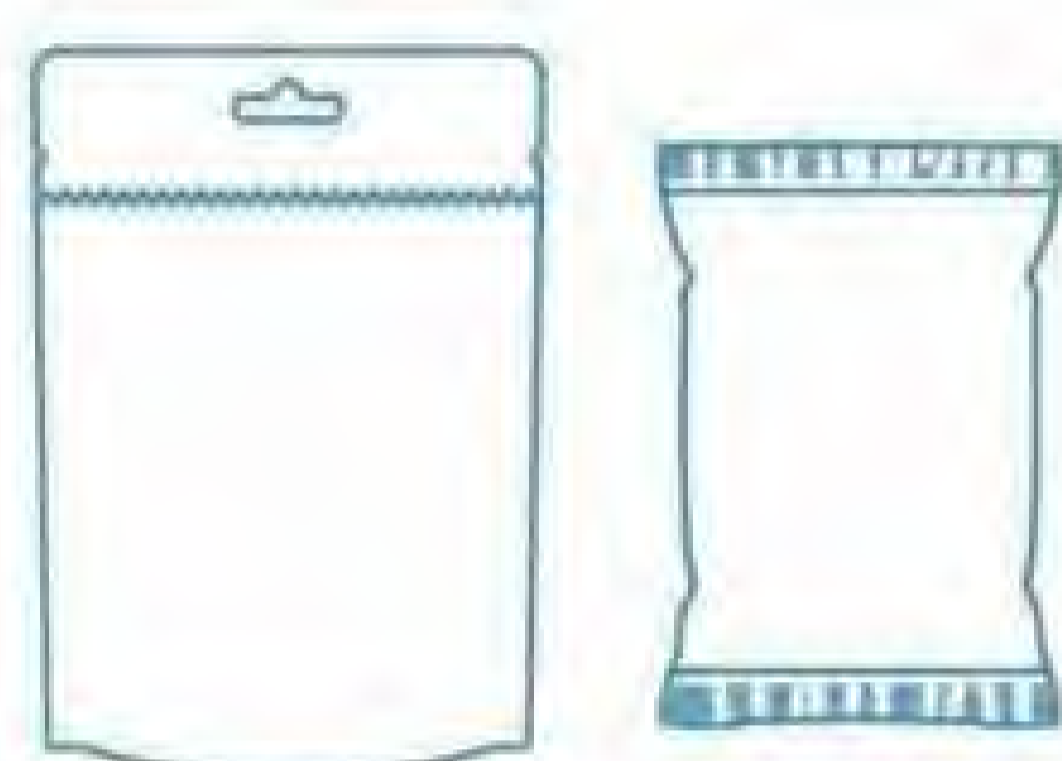
Pallets



Pharma cartons



Bottles



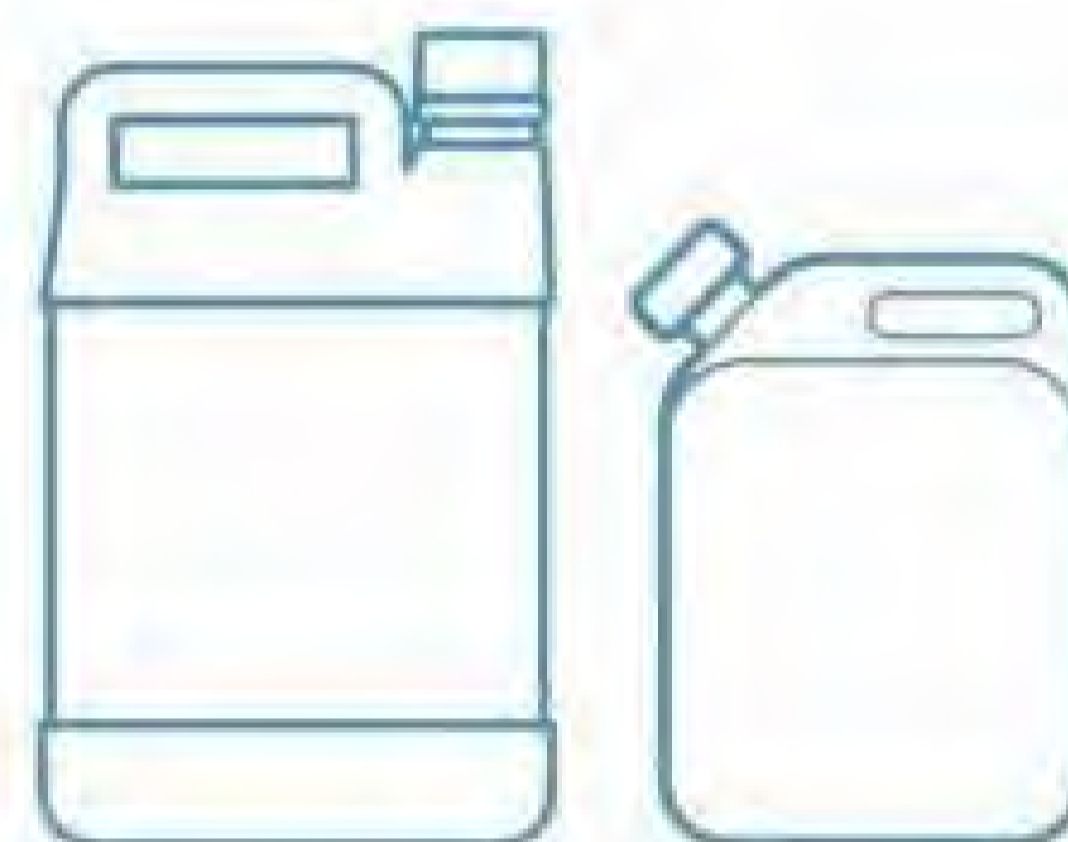
Food packaging bag



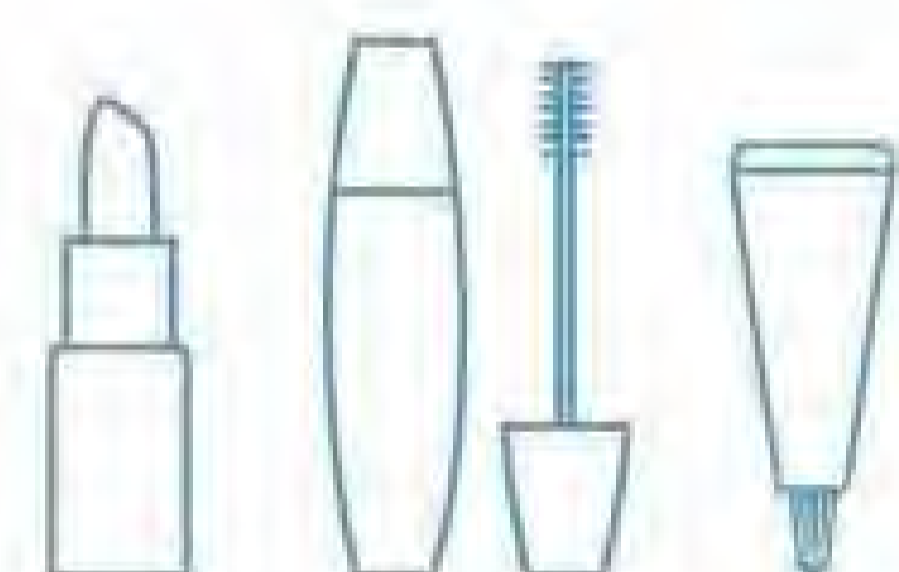
Jars and food bottles



Personal hygiene
products



Jerrycans



Cosmetic make up
products



Tins



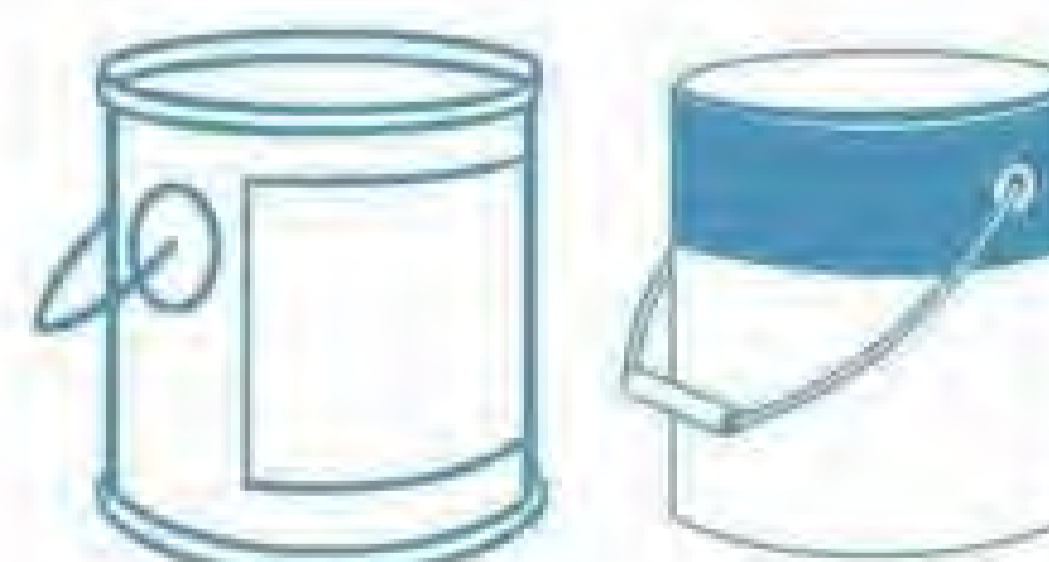
Papers, Bags, Cards



Chemical detergents



Food trays, Containers
and Skinpack



Paints cans



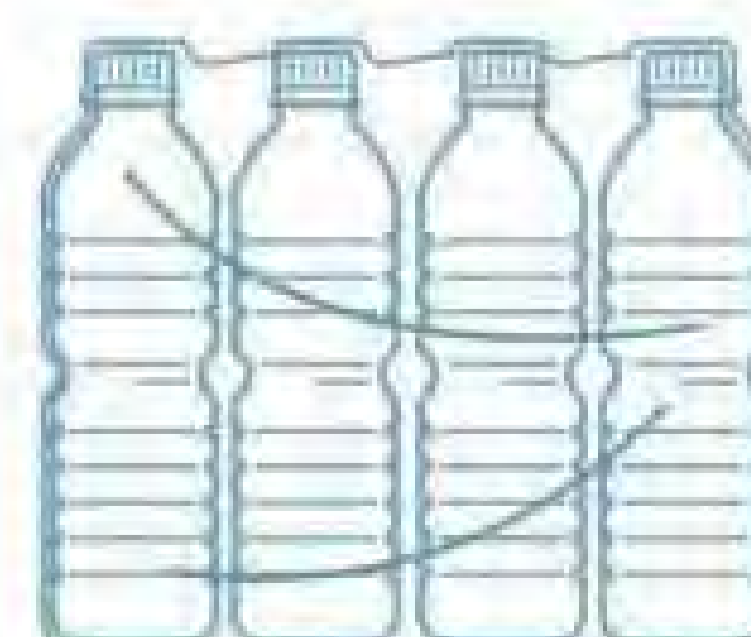
Vials, test tube, blow
fill seals



Buckets



Boxes



Shrinkpack

Industry
End of line




Smart Identify
Smart choice you choose

Office : 594/9 Hathairat Rd., Bangchan, Klong Samwa, Bangkok 10510

Factory : 38 Soi Samwa 31, Bangchan, Klong Samwa, Bangkok 10510

Tel. : +66(0)2-136-9171-4 Fax : +66(0)2-136-9175

 www.smartiden.com  smartidentify  @smartidentify